



PROCONTROL

ProxerPort2

Tubular swing gate

The ProxerPort2 is a motorized access gate, suitable for personal entry in one or two directions.

Standalone installation provides a single path system or for wider passage two synchronized, motorized ProxerPort2 can be installed opposite to each other. Separating the two units with a barrier between them a two-lane system is achievable.

Structure

Passage width is available between 700-1200mm and between 1400-2200mm with a two door construction. See base model dimensions on drawings below. With a larger, 1100mm passage width, the ProxerPort2H variant is designed for persons with disabilities, as safe passing with wheelchairs is also possible.

The main column is a tubular high-gloss quality steel construction, surface mounted onto the floor, housing the motor, controller and cable cabinet. Presence detector sensors are embedded in the column head. Swing panel is made of high-strength, high-gloss, polished steel and can be mounted with signboards bearing awareness signals or guidance.

A ProxerPort2 may be operated manually, remotely, in automatic mode with the built-in sensors. RFID proximity readers, barcode readers, fingerprint readers can be used for identification and access control; the ProxerPort2 gate can be integrated into smart building management systems.



Basic types:

- ProxerPort2: high-gloss, polished, stainless steel framework, 900mm passage width
- ProxerPort2H: high-gloss, polished, stainless steel framework stainless steel framework, for disabled access, 1100mm passage width
- Custom sized are available for order

Form and variability:

ProxerPort 2 Glass is a small-sized, unified, easy to install model, providing great freedom of choice for architects and designers. The default framework is made of polished stainless steel, and the glass panel is from 10 mm thick toughened glass. Both the framework material and glass panel size can be ordered individually by the customer.

Properties:

- Intelligent access gate with one swivel barrier
- Automatic, motorized swing gate
- Easy to integrate into access control systems; card reader can be controlled, managed
- Capable of two way motion monitoring
- Can be connected to fire alarms systems, in case of emergency gate switches into panic mode and provides free exit
- Chrome-nickel, high-grade steel frame with polished finish
- Flow rate approximately 35 persons per minute
- Vandal-proof design
- Remote management available
- CE approved, quality product; designed and manufactured in Hungary

Technical properties:

- Power supply: 12V DC
- Power consumption: 3W (peak 200W)
- Interface: RS485, optionally: RS422, RS232, Ethernet
- Two gate controllers can be built in or connected (choice of customer)
- Operating temperature range: 0°C - +50°C
- Storage temperature range: -25°C - +60°C
- Relative operational humidity: max. 80%
- Relative storage humidity: 90% maximum
- Applied standards: PoE (Power Over Ethernet), Ethernet, RS485, eMarine V4001, glass structures of our glass swing gates are according to DIN 52290 standard, level A1 and MABISZ (Association of Hungarian Insurance Companies) approved



Mechanical dimensions:

- See drawings below
- Passage width is upon customer request

Options:

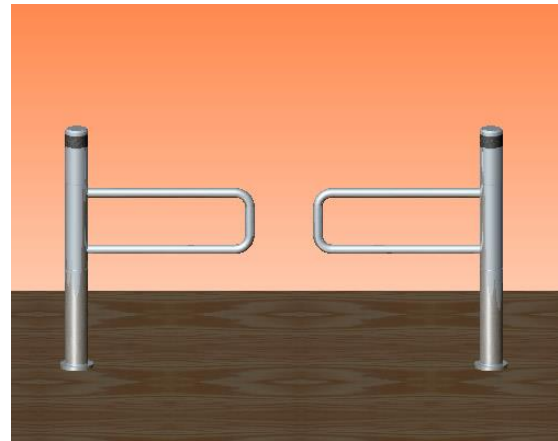
- Entry controllers.
 - RFID (Proximity) chip card reader
 - Omnidirectional laser barcode reader
 - Magnetic stripe card (credit card-) reader
 - Fingerprint scanner
- Video camera and video recorder
- Infrared presence detector
- Wireless connection: 54Mbit Wi-Fi
- GPRS modem
- ProxerGate Remote Control
- Frame material and colour optionally selectable upon request
 - high-gloss, corrosion resistant high-grade steel with polished finish (default design)
 - high-gloss, brass-coated, high grade steel with polished finish
 - brushed stainless steel
 - galvanized steel with polyester powder painted coating (RAL choice of colours)
- Uninterruptible power supply (UPS)
- Exists with glass panels, see ProxerPort2, 2H Glass

Application:

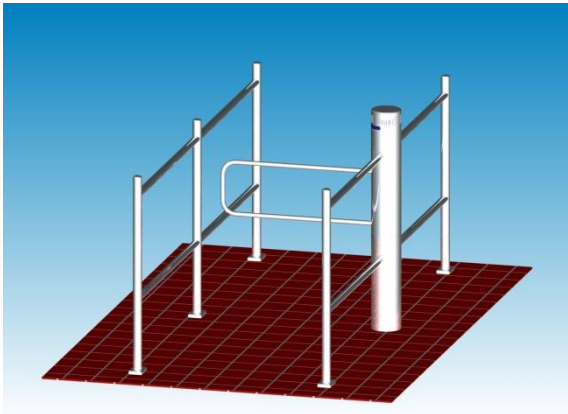
- offices, lobbies
- reception desks
- banks
- museum
- airports, etc.



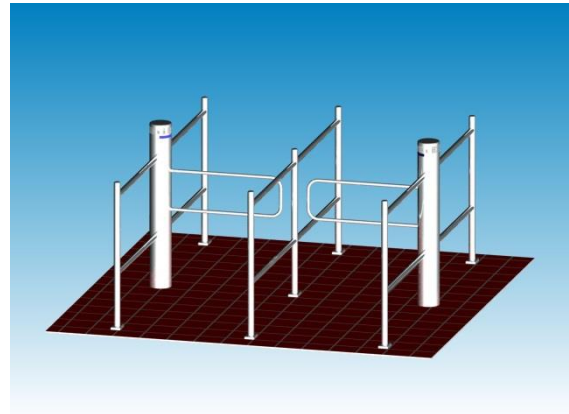
ProxerPort2 access gate (single)



2 synchronized, motorized ProxerPort2 gates installed opposite to each other



1 ProxerPort2 gate with barriers for one lane



2 ProxerPort2 gates with barriers for two-lane traffic



ProxerPort2 Glass

